

Zero backlash clutch design eliminates lost motion when ratcheting.
Designed for use in restricted space.

Special handle configurations quoted on request.

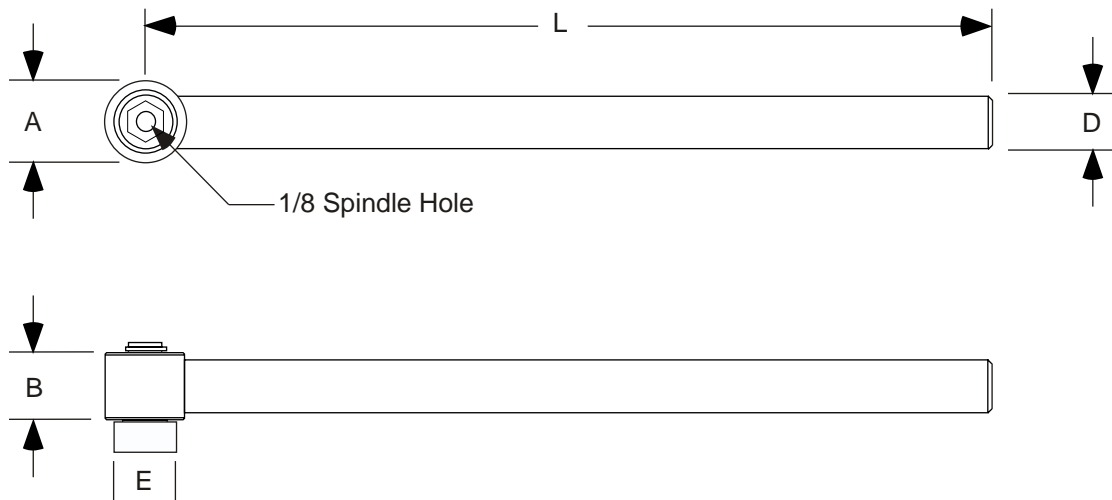
Part No.	Torque Rating	Head OD "A"	Head Height "B"	Spindle Hole "C"	Handle Length "L"	Handle OD "D"
RCW-40	50 in/lb	9/16	.48	1/8	6.0	3/8
RCW-80*	90 in/lb	9/16	.95	1/8	6.0	3/8

* Standard handle configuration welded at center of head. Other configurations on special order.

Finish:
Black Oxide, Standard

- Design Features:
- Welded alloy steel handle
 - Tubing handle for light weight and good balance
 - Spot face for socket set screw
 - Friction ring to aid socket retention
 - Tool steel spindle with large through hole

Use With Fast-Tool S100 Series Low Profile Frangible Collar Sockets



Zero backlash clutch design eliminates lost motion when ratcheting.
Designed for use in restricted space.

Special handle configurations quoted on request.

Part No.	Torque Rating	A	B	C	D	L
RCW-40	50 lb/in	9/16	.48	1/8	3/8	6.0
RCW-80*	90 lb/in	9/16	.95	1/8	3/8	6.0

Socket Dash

Dash	Size	E
-218	7/32	.40
-250	1/4	.40
-281	9/32	.43
-312	5/16	.43
-344	11/32	.50
-375	3/8	.56
-437	7/16	.56

* Standard handle configuration welded at center of head. Other configurations on special order.

RCW-50IS-312
 |
 Socket Dash
 |
 Torque Rating

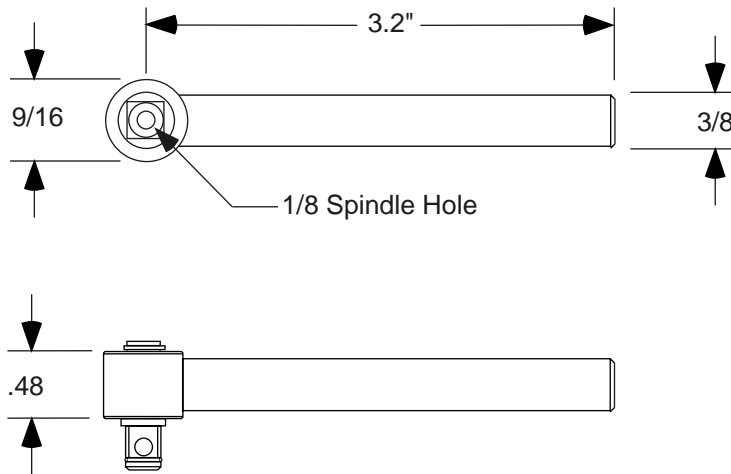
Finish:
Black Oxide, Standard

Design Features:

- Welded alloy steel handle
- Tubing handle for light weight and good balance
- Tool steel spindle/socket
- Tool steel spindle with large through hole

Fast-Tool

RCWS-50
Roller Clutch Wrench, 1/4" Drive
Short Handle



Zero backlash clutch design eliminates lost motion when ratcheting.
Designed for use in restricted space.

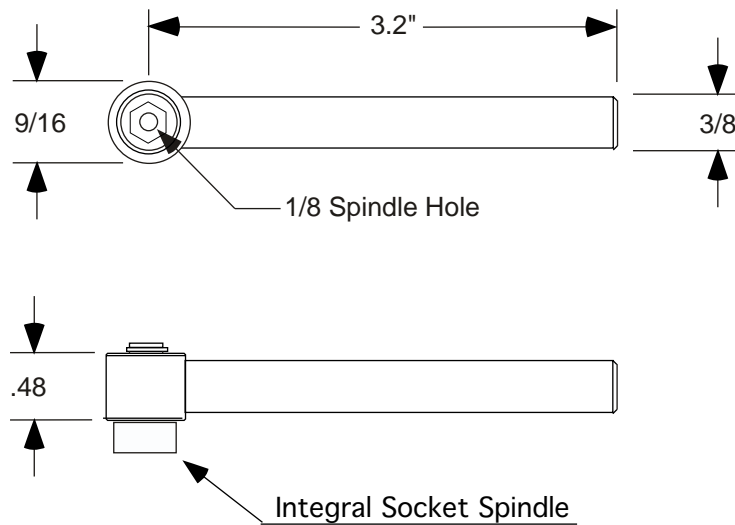
Design Features:

- 50 lb/in rating
- Welded alloy steel handle
- Spot face for socket set screw
- Friction ring to aid socket retention
- Tool steel spindle with large through hole

Standard Finish: Black Oxide

Fast-Tool

RCWS-50IS-() Roller Clutch Wrench, Integral Socket Short Handle



Zero backlash clutch design eliminates lost motion when ratcheting.
Designed for use in restricted space.

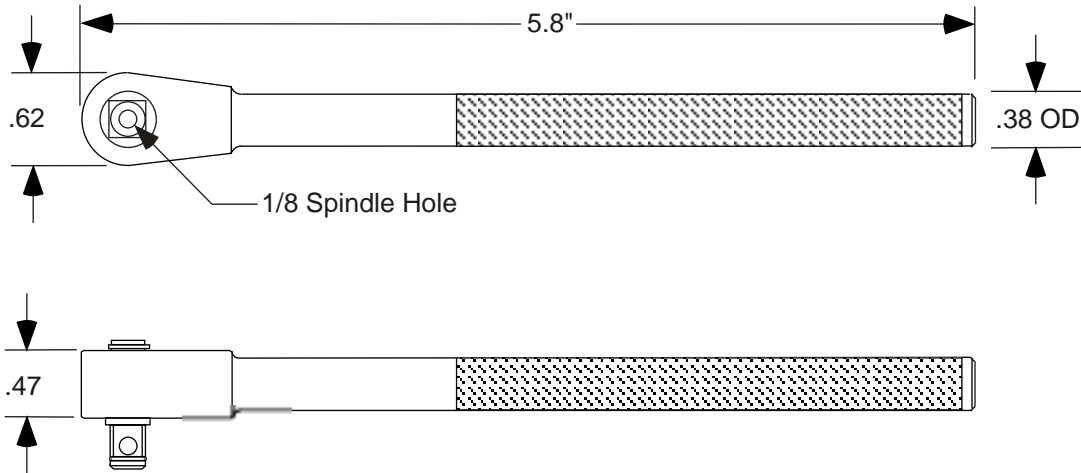
RCWS-50IS-312
Socket Dash

Socket Dash	
Dash	Size
-218	7/32
-250	1/4
-281	9/32
-312	5/16
-344	11/32
-375	3/8
-437	7/16

Standard Finish: Black Oxide

Design Features:

- Welded alloy steel handle
- Spot face for socket set screw
- Friction ring to aid socket retention
- Tool steel spindle/socket with large through hole

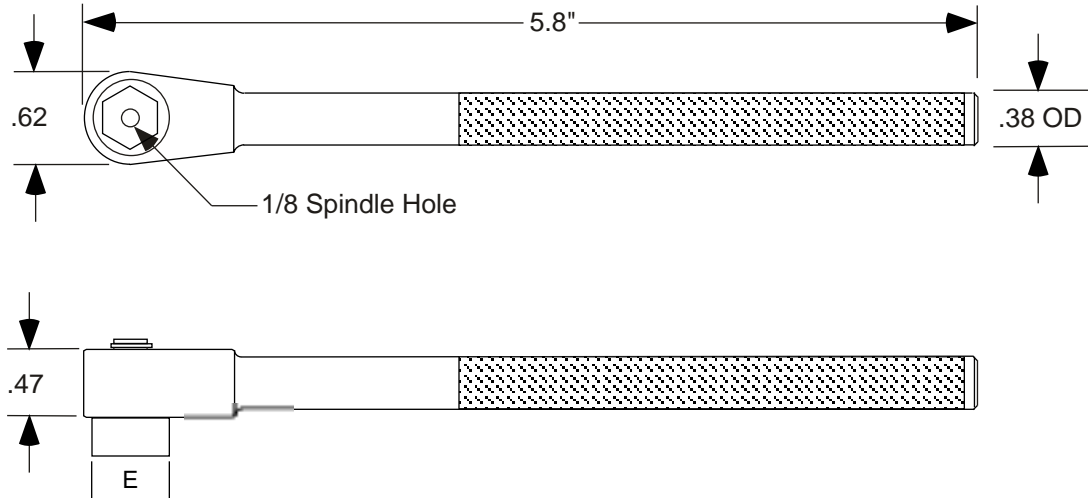


Zero backlash clutch design eliminates lost motion when ratcheting.
For use in restricted space.

Finish:
Black Oxide, Standard

- Design Features:
- 120 in-lb rating
 - Heat treated alloy steel head
 - Knurled handle
 - Spot face for socket set screw
 - Friction ring to aid socket retention
 - Tool steel spindle with large through hole

Use With Fast-Tool S100 Series Low Profile Frangible Collar Sockets



RCW-120IS-312
Socket Dash

Socket Dash

Dash	Size
-218	7/32
-250	1/4
-281	9/32
-312	5/16
-344	11/32
-375	3/8
-437	7/16

Zero backlash clutch design eliminates lost motion when ratcheting.
For use in restricted space.

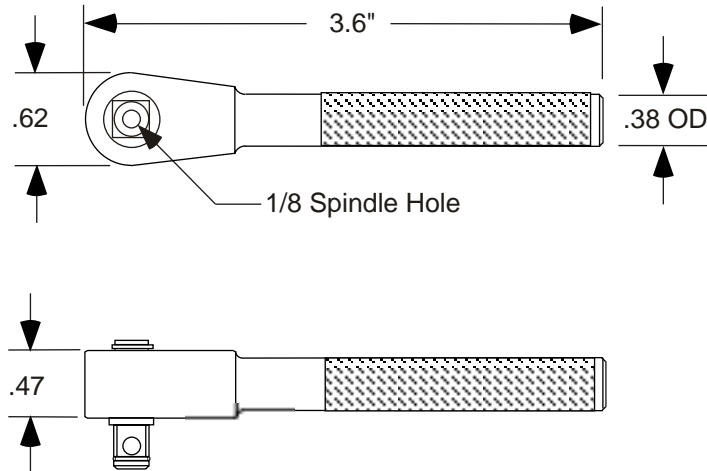
Finish:
Black Oxide, Standard

- Design Features:
- 120 in-lb rating
 - Heat treated alloy steel head
 - Knurled handle
 - Friction ring to aid socket retention
 - Tool steel spindle with large through hole

Use With Fast-Tool S100 Series Low Profile Frangible Collar Sockets

Fast-Tool

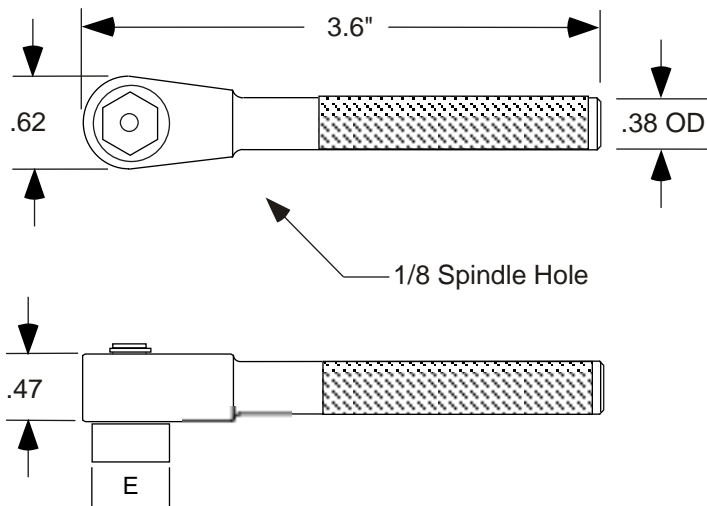
RCWS-120IS-()
Roller Clutch Wrench, Integral Socket
Short Handle



Zero backlash clutch design eliminates lost motion when ratcheting.
For use in restricted space.

Finish:
Black Oxide, Standard

- Design Features:
- 120 in-lb rating
 - Heat treated alloy steel head
 - Knurled handle
 - Spot face for socket set screw
 - Friction ring to aid socket retention
 - Tool steel spindle with large through hole



RCWS-120IS-312
Socket Dash

Socket Dash

Dash	Size
-218	7/32
-250	1/4
-281	9/32
-312	5/16
-344	11/32
-375	3/8
-437	7/16

Zero backlash clutch design eliminates lost motion when ratcheting.
For use in restricted space.

Finish:
Black Oxide, Standard

- Design Features:
- 120 in-lb rating
 - Heat treated alloy steel head
 - Knurled handle
 - Friction ring to aid socket retention
 - Tool steel spindle with large spindle thru hole

Use With Fast-Tool S100 Series Low Profile Frangible Collar Sockets